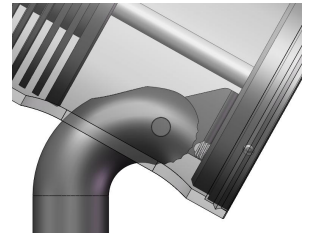


90 Degree Adjustable



Modulized design
& multi step snout levels



"Click"
& lockable arm



Available with honeycomb louver
& interchangeable lens



Surface spots version
SD3171



BS3090

IP65 8Watt DC24V Spike Light

Description

24V constant voltage dimming;
0-90D adjustable, 0-25mm module depth adjustable
Module design, easy for maintenance;
Honeycomb louver as accessory;

Finish

Black/White

Material

Aluminium



15D

24D

36D

28x37D

TECHNICAL CHARACTERISTICS

Light source

Light source: Luminus CXM-6
Input: DC24V constant voltage
Output (W): 8watt
Total power consumption (W): 10Watt
Color temperature: 2700K/3000K/4000K
CRI: 90
Photobiological risk: RG1
Real Lumen: 366
Qty Leds: 1
Lm/Real W: 45.8
Life Time: 50.000h L80B20
MacAdam steps: 3
UGR: <14

GEAR

This product is supplied without gear.

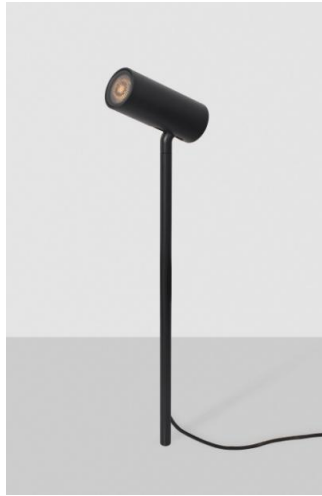
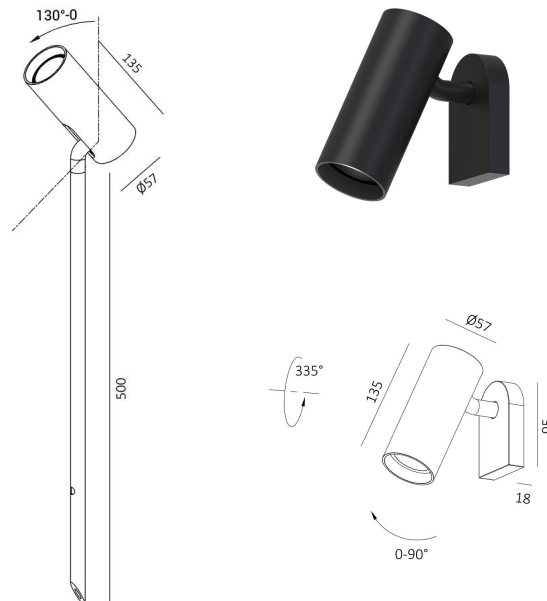
Luminaire

IP65 for outdoor purpose
crossing: No
Warranty: 5 Years

PHOTOMETRIC DATA

LIGHT DISTRIBUTION for 3000K medium 36.1°

| h(m) | E(lx) | Ø(m) |
|------|-------|-------|
| 1 | 978 | Ø0.65 |
| 2 | 244 | Ø1.3 |
| 3 | 108 | Ø1.95 |
| 4 | 61 | Ø2.6 |
| 5 | 39 | Ø3.25 |



The photograph may not match the reference exactly. Please read the product description to identify the finish.